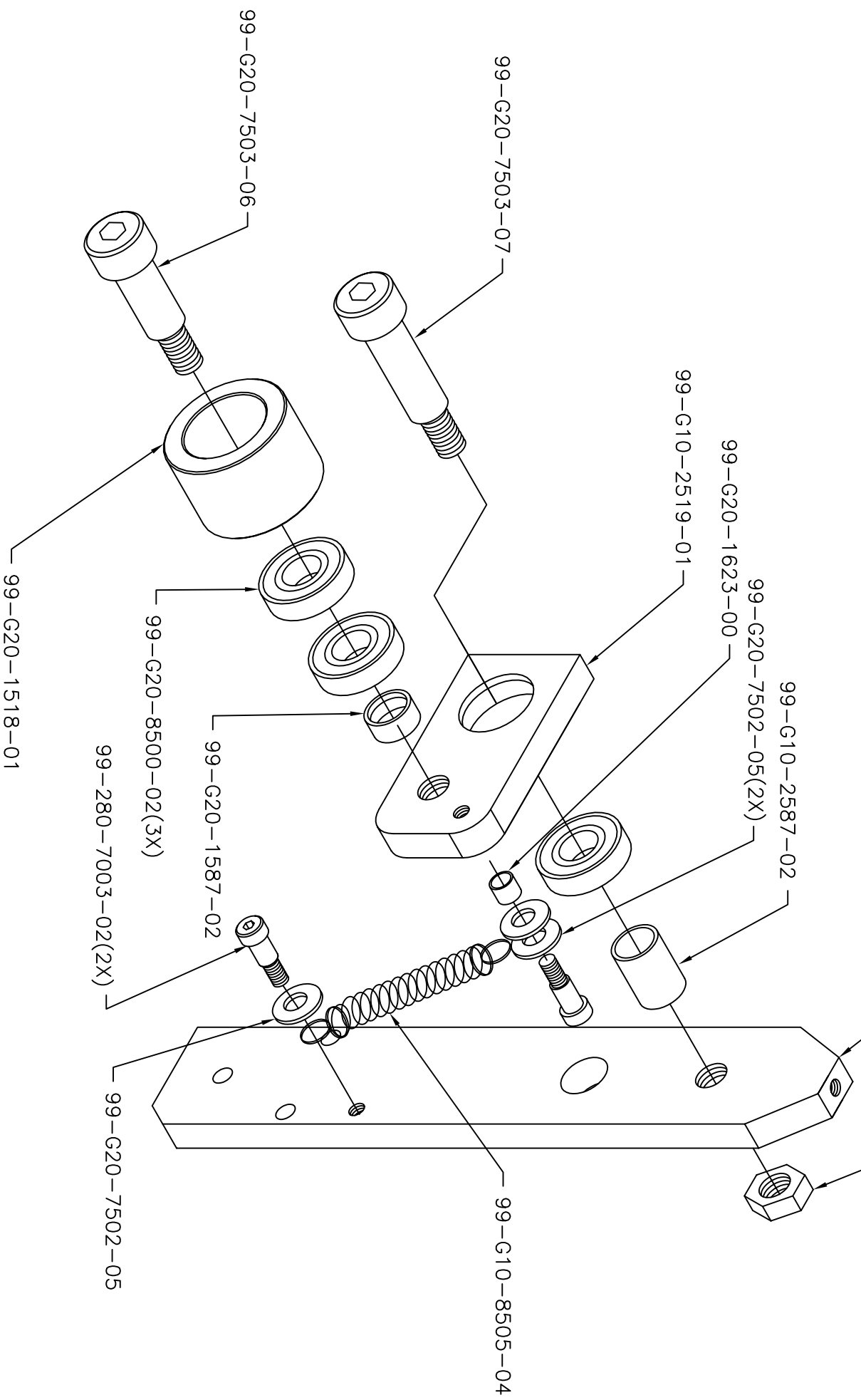


80-G10-2699-05 PUMP IDLER PULLEY (GS-1000)

99-G20-7513-12
99-G10-2503-02 REF.
SEE 80-G10-2699-06



IDLER PULLEY, PUMP
80-G10-2699-05

PART #	DESCRIPTION	QTY
99-280-7003-02	5/16 X 1/2 SHSB	2
99-G10-2519-01	ARM, IDLER PULLEY	1
99-G10-2587-02	SPACER, ALUMINUM 3/4 O.D. X 1.200	1
99-G10-8505-04	SPRING, #91 FOR PUMP	1
99-G20-1518-01	IDLER PULLEY, PUMP AND BLADE	1
99-G20-1587-02	SPACER, ALUMINUM .350 WIDE	1
99-G20-1623-00	BUSHING, GUIDE ARM	1
99-G20-7502-05	FLAT WASHER, .625 X .312 X .032 SST	3
99-G20-7503-06	5/8 X 3/4 SHSB BLK STEEL	1
99-G20-7503-07	5/8 X 1 1/2 SHSB BLK STEEL	1
99-G20-7513-12	1/2-13 JAM NUT	1
99-G20-8500-02	BEARING, IDLER PULLEY	3