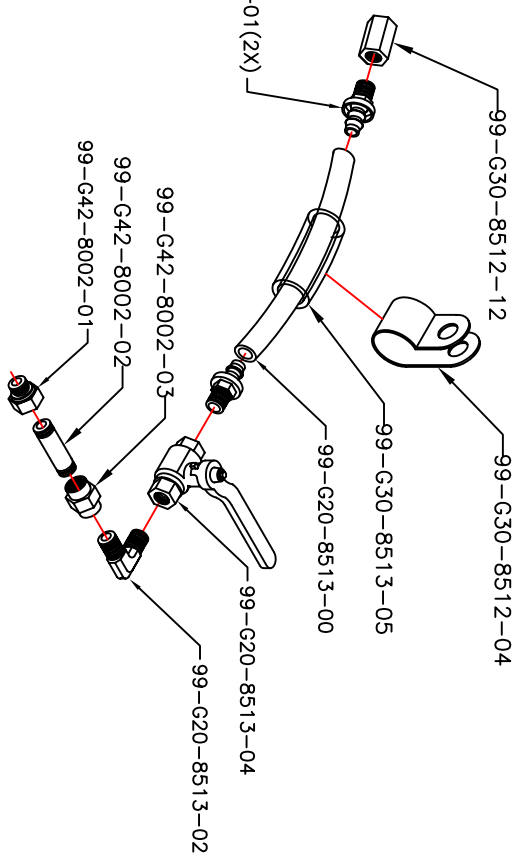
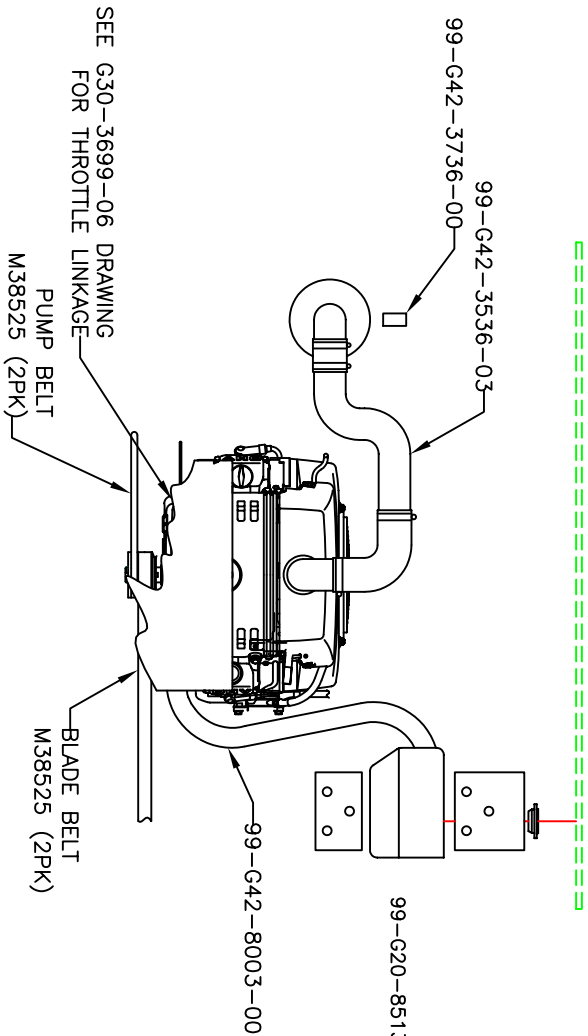
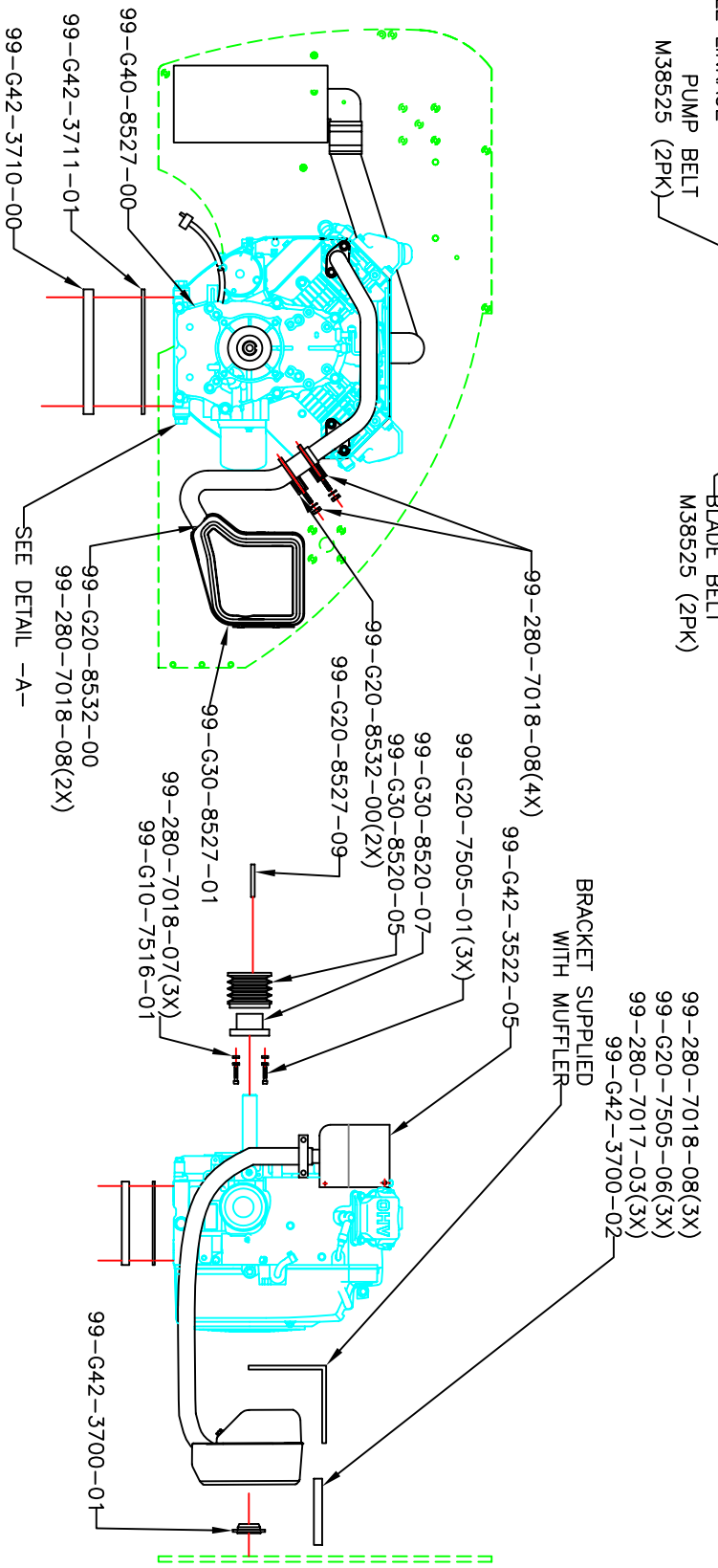


87-G42-3699-03 MOTOR (GX-4200)



DETAIL -A-



G3000 MOTOR 87-G42-3699-03

PART #	DESCRIPTION	QTY
99-280-7012-02	NUT, NYLOC 1/4-20	1
99-280-7017-03	FLAT WASHER, 5/16 SEA GR8	3
99-280-7018-07	LOCK WASHER, 1/4 SPLIT	9
99-280-7018-08	LOCK WASHER, 5/16 SPLIT	7
99-G10-7516-01	1/4-20 X 3/4 SET SCREW, KNURL PT.	1
99-G20-7505-01	1/4-20 X 1 H.H.	6
99-G20-7505-06	H.H. 5/16-18 X 1	3
99-G20-8513-00	HOSE, 3/8 ID. GATES 6 LOLA	1
99-G20-8513-01	FITTING, PUSH ON 6LOC-4RMP GATES	2
99-G20-8513-02	ADAPTER, HCI MP-MP90-4-4	1
99-G20-8513-04	VALVE, BALL BV-04N LHA	1
99-G20-8513-05	TUBE, CLEAR VINYL 3/4 ID. X 1 OD	1
99-G20-8527-09	1/4 X 1/4 X 2 1/4 KEY WAY	1
99-G20-8532-00	CLAMP, MUFFLER 1 1/8	2
99-G30-8512-04	HOSE CLAMP, OIL DRAIN	1
99-G30-8512-11	HOSE, 4" AIR INTAKE TUBE	1
99-G30-8512-12	DUST CAP, OIL DRAIN-RP85123	1
99-G30-8520-05	SHEAVE, MOTOR	1
99-G30-8520-07	BUSHING, MOTER SHEAVE	1
99-G30-8538-04	FILTER, FOAM FRE-AIR (YELLOW)	1
99-G30-9510-03	RING TOUNG (YELLOW)	1
99-G30-9510-04	COUPLER, 10-12 AWG YELLOW FEMALE	3
99-G30-9510-07	COUPLER, 10-12 AWG YELLOW MALE	3
99-G30-9511-03	WIRE, 12 AWG (WHITE)	5
99-G40-8527-00	MOTOR. KOHLER 22H.P.	1
99-G42-3522-05	AIR DIVERTER	1
99-G42-3536-03	TUBE, AIR INTAKE	1
99-G42-3700-01	SPACER, EXHAUST	1
99-G42-3700-02	PLATE, MUFFLER MOUNT	1
99-G42-3710-00	RUBBER, MOTER MOUNT	1
99-G42-3711-01	PLATE, MOTOR MOUNT	1
99-G42-3736-00	AIR CANISTER SUPPORT BRACE	1
99-G42-8002-01	HEX BUSHING	1
99-G42-8002-02	BRASS NIPPLE, 1/4 X 2	1
99-G42-8002-03	COUPLING, 1/4" BRASS	1
99-G42-8003-00	TUBING, EXHAUST	1