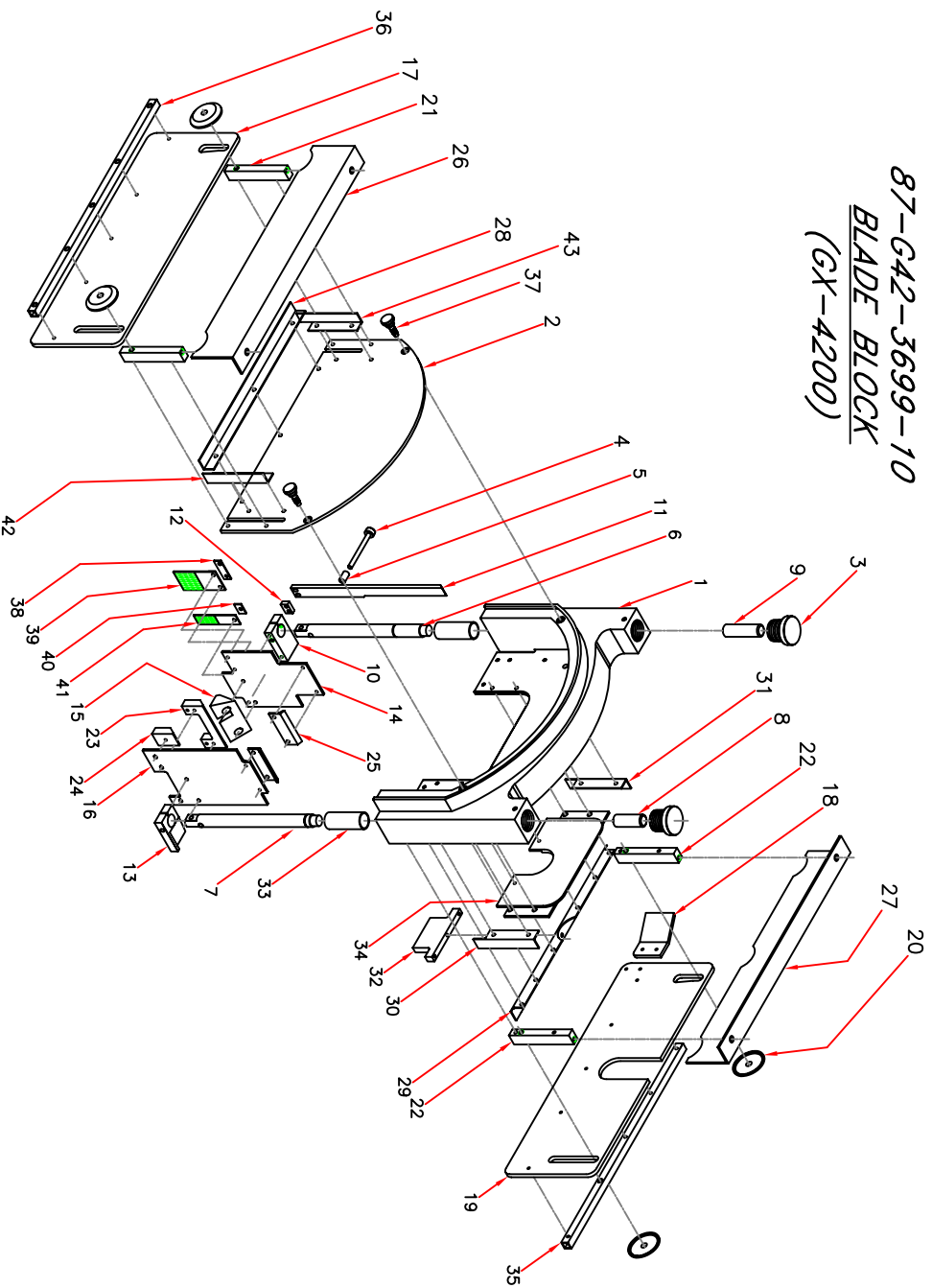


87-G42-3699-10
BLADE BLOCK
 (GX-4200)



NO.	DESCRIPTION	PART #	QTY
1	BLADE BLOCK	99-G40-4540-00	1
2	COVER, BLADE BLOCK	99-G40-4541-00	1
3	KNOB, BLADE BLOCK	99-G30-3542-00	2
4	SPACER, SNAPPER PIN	99-G30-8507-01	1
5	SPACER, SNAPPER PIN	99-G30-3542-01	1
6	ROD, BLADE BLOCK, REAR	99-G40-4545-00	1
7	ROD, BLADE BLOCK, FRONT	99-G40-4546-00	1
8	ROD, BLADE BLOCK FRONT PLASTIC	99-G40-4547-00	1
9	ROD, BLADE BLOCK REAR PLASTIC	99-G40-4548-00	1
10	CLAMP, BLADE BLOCK REAR ROD	99-G30-3545-00	1
11	DEPTH POINTER	99-G30-3545-01	1
12	SPACER, DEPTH POINTER	99-G30-3545-02	1
13	CLAMP, FRONT ROD ANGLED	99-G30-3545-03	1
14	DIVERTER PLATE, REAR	99-G40-4553-00	1
15	PYRAMID DIVERTER, REAR	99-G40-4554-00	1
16	DIVERTER PLATE, FRONT	99-G40-4555-00	1
17	LEXAN SHIELD, OUTER	99-G40-4556-00	1
18	DIVERTER, LEXAN SHIELD	99-G30-3548-01	1
19	LEXAN SHIELD, INNER	99-G40-4558-00	1
20	WASHER, LEXAN SHIELD	99-G30-3549-01	4
21	BLOCK, LEXAN SHIELD MNT OUTER	99-G40-4560-00	2
22	BLOCK, LEXAN SHIELD MNT INNER	99-G40-4561-00	2
23	DIVERTER BLOCK, FRONT	99-G20-1552-01	1
24	BLOCK, DIVERTER SMALL	99-G40-4563-00	1
25	WIPER, BLD BLOCK STEEL	99-G30-3553-00	2
26	BRACKET, BLD BLOCK ANGLED OUT.	99-G30-3554-00	1
27	BRACKET, BLD BLOCK ANGLED INN.	99-G30-3555-00	1
28	BRACKET, BLADE COVER, OUTER	99-G30-3560-00	1
29	BRACKET, BACK OF BLADE BLOCK	99-G40-4568-00	1
30	ANGLE DIVERTER, RIGHT	99-G40-4569-00	1
31	ANGLE DIVERTER, LEFT	99-G40-4570-00	1
32	DUST SHIEL, INNER LEXAN	99-G40-4571-00	1
33	BUSHING, BRONZE	99-G30-3597-00	2
34	INSERT, BELT ACCESS	99-G40-4573-00	1
35	STIFFENER, LEXAN PANEL (REAR)	99-G40-4574-00	1
36	STIFFENER, LEXAN PANEL (FRONT)	99-G30-3637-01	1
37	KNOB, BLADE COVER	99-G20-1640-00	2
38	BAR, RUBBER FLAP MOUNT LARGE	99-G30-3712-00	1
39	DUST FLAP, LARGE	99-G30-3712-01	1
40	BAR, RUBBER FLAP MOUNT SMALL	99-G30-3713-00	1
41	DUST FLAP, SMALL	99-G30-3713-01	1
42	ANGLE DIV, BLD COVER (RIGHT)	99-G40-4723-00	1
43	ANGLE DIV, BLD COVER (LEFT)	99-G40-4724-00	1