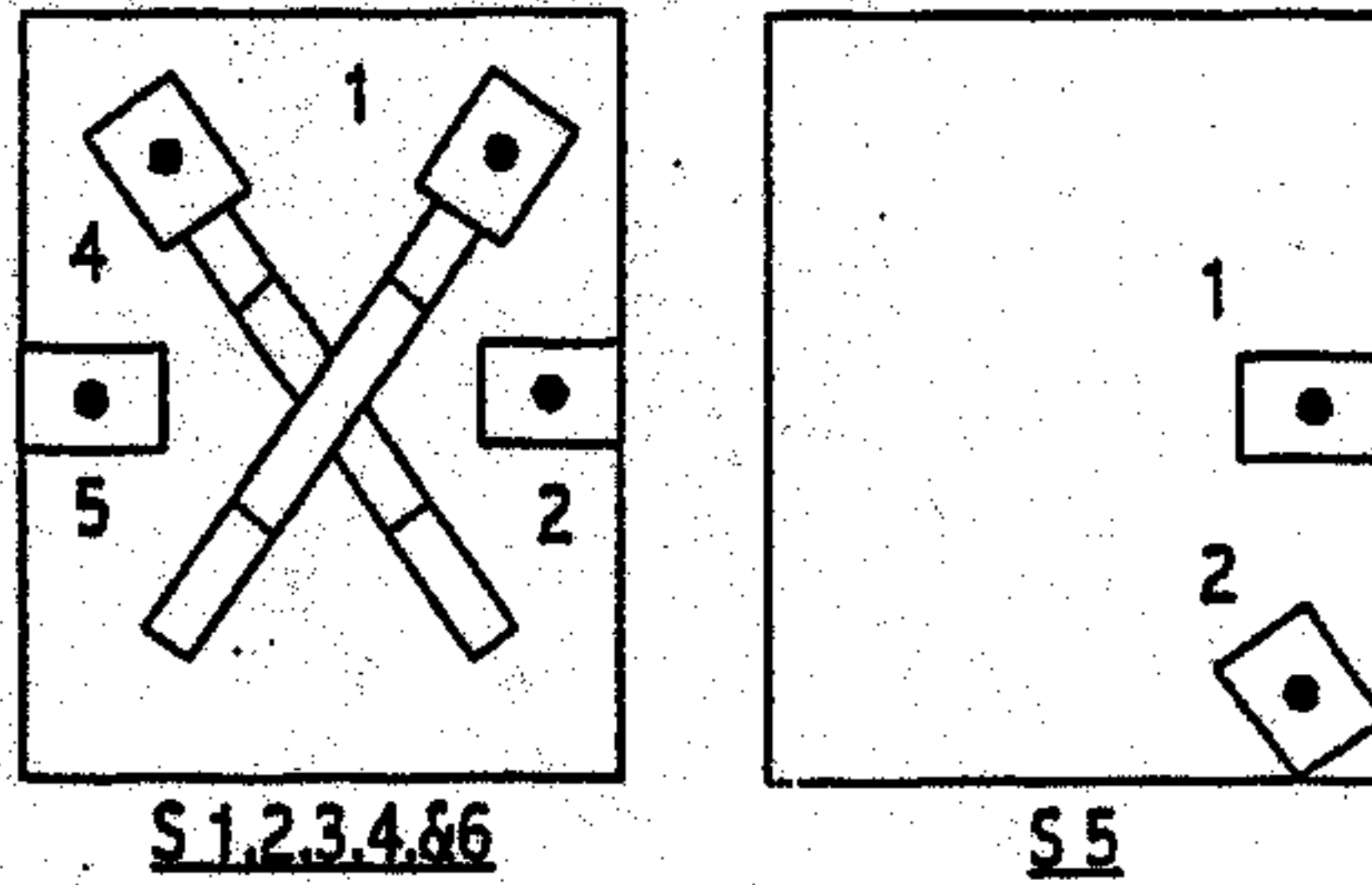


Wire Diagram Legend

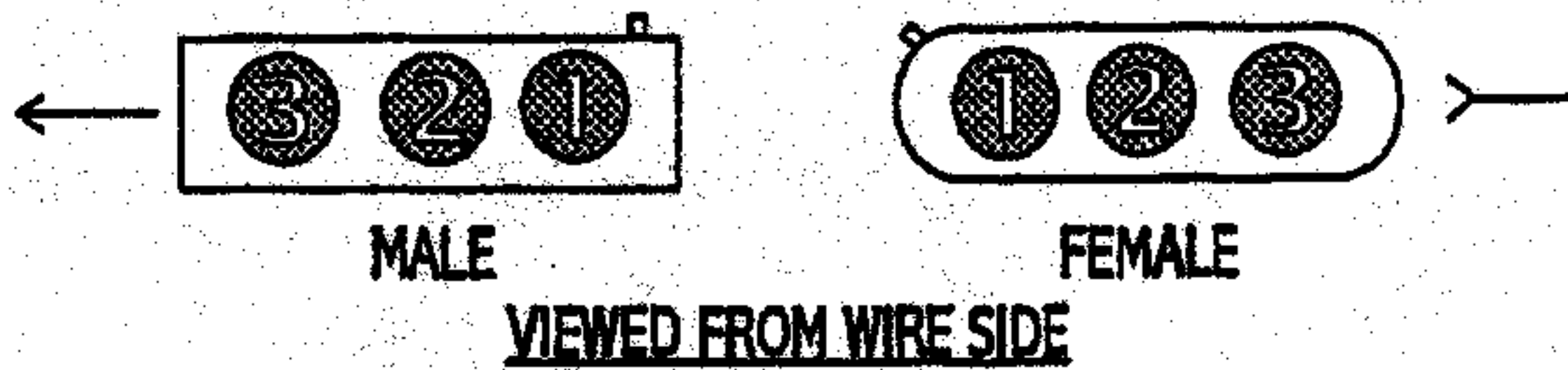
- B1 - WARNING BUZZER
- K1 - KEY SWITCH
- V1 - VOLTMETER
- H1 - HOURMETER
- T1 - TACHOMETER
- R1 - REGULATOR / RECTIFIER
- M1 - HONDA MOTOR
- F1 - FUSE HOLDER
- F2 - FUSE HOLDER

S1,2,3,4 & 6 - SWITCH FOR ACTUATOR
 S5- SWITCH FOR LIGHTS

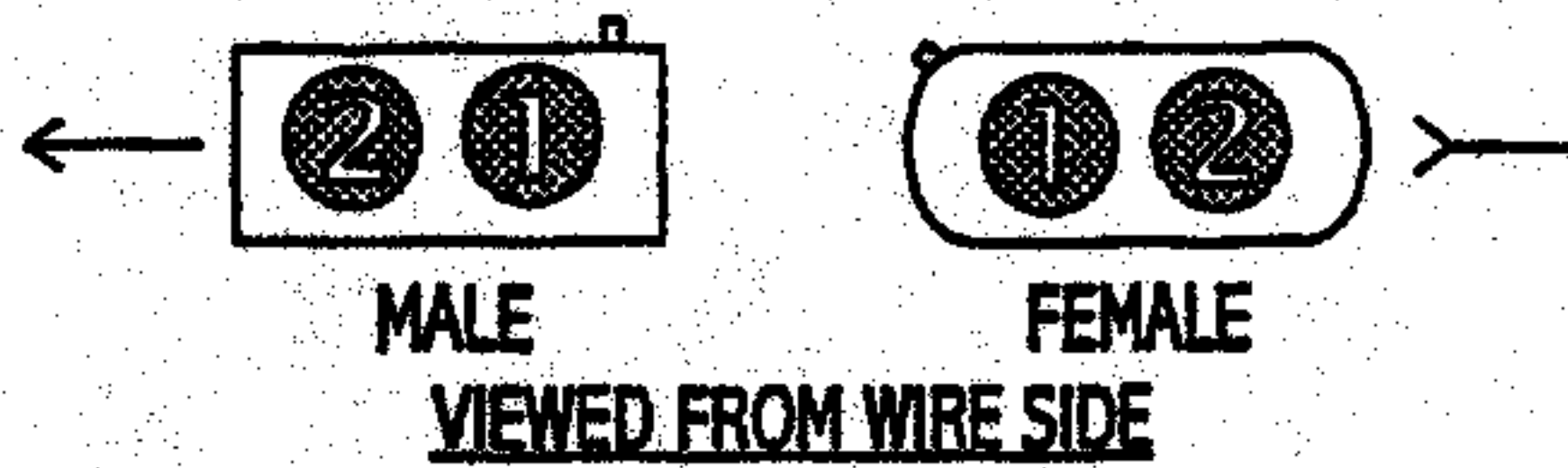


A1 THRU A6 - ACTUATOR

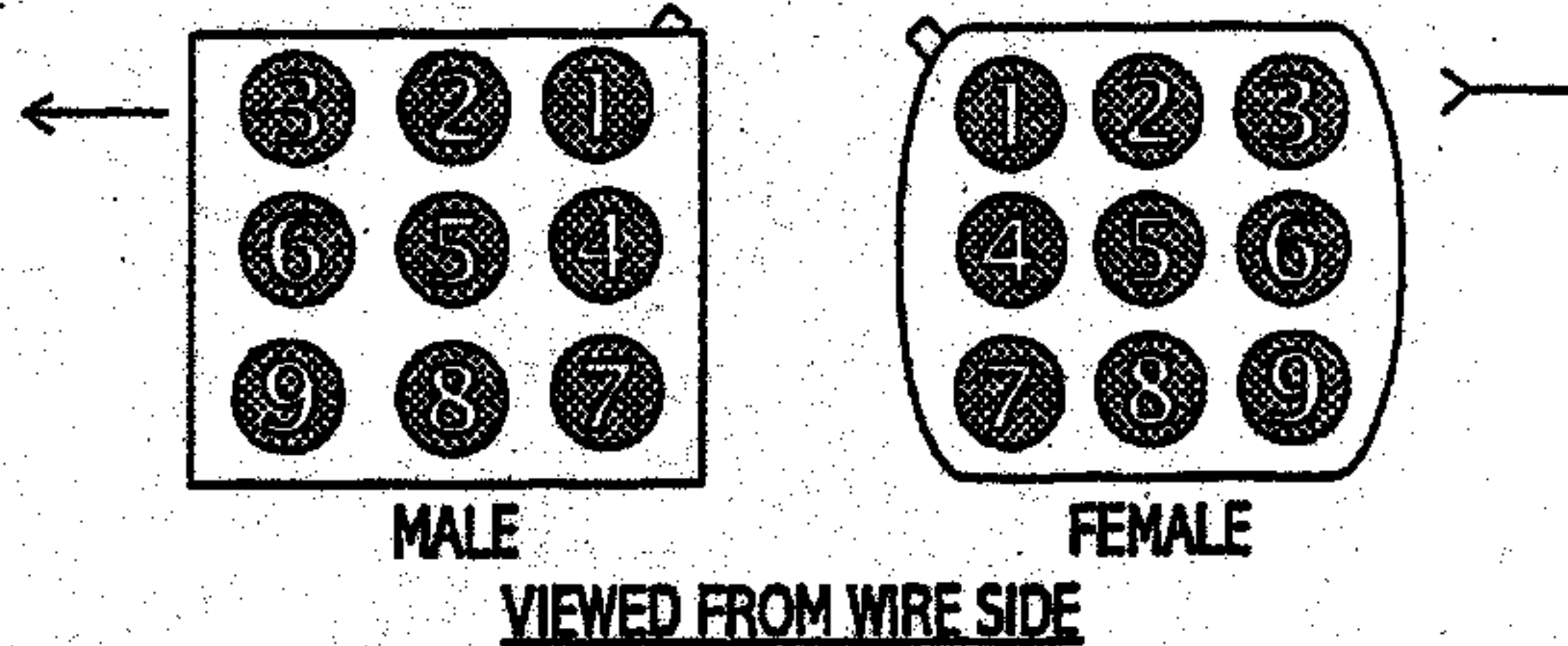
J1 - 3 PIN CONNECTOR



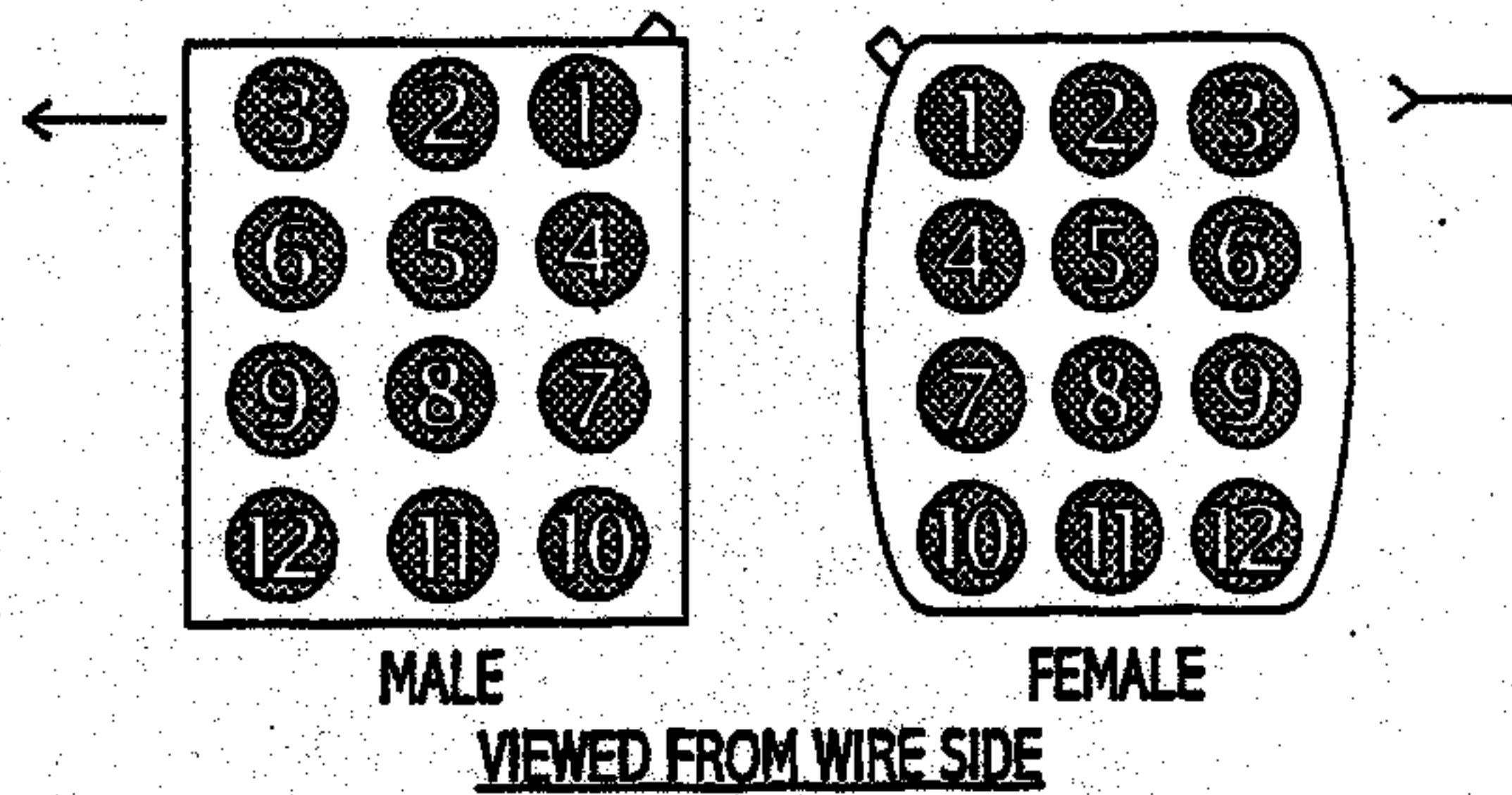
J2 THRU J6 2 PIN CONNECTOR



J9 - 9 PIN CONNECTOR



J12 - 12 PIN CONNECTOR



- C1 - LINEAL FOOTAGE COUNTER
- C2 - SPEED F.P.M. COUNTER
- P1 - DEPTH PROXIMITY SWITCH
- P2 - FOOTAGE PROXIMITY SWITCH
- P3 - SPEED PROXIMITY SWITCH

- L1 - RED LED ON DASH (NEUTRAL)
- L2 - FRONT LIGHT
- L3 - SIDE LIGHT
- L4 - VOLTMETER LIGHT
- L5 - TACHOMETER LIGHT
- L6 - RED LED ON DASH
- L7 - RED LED ON SIDE PANEL

WIRE COLOR CODE

B	BLACK
BR	BROWN
R	RED
O	ORANGE
Y	YELLOW
G	GREEN
GR	GRAY
W	WHITE

SOME WIRES MAYBE WHITE WITH THE STRIPE BEING THE COLOR ON WIRE DIAGRAM.

RED/YELLOW FEMALE CONN ← RED/YELLOW MALE CONN

RED FEMALE T-CONNECTOR

BLUE \ YELLOW BUTT SPLICE

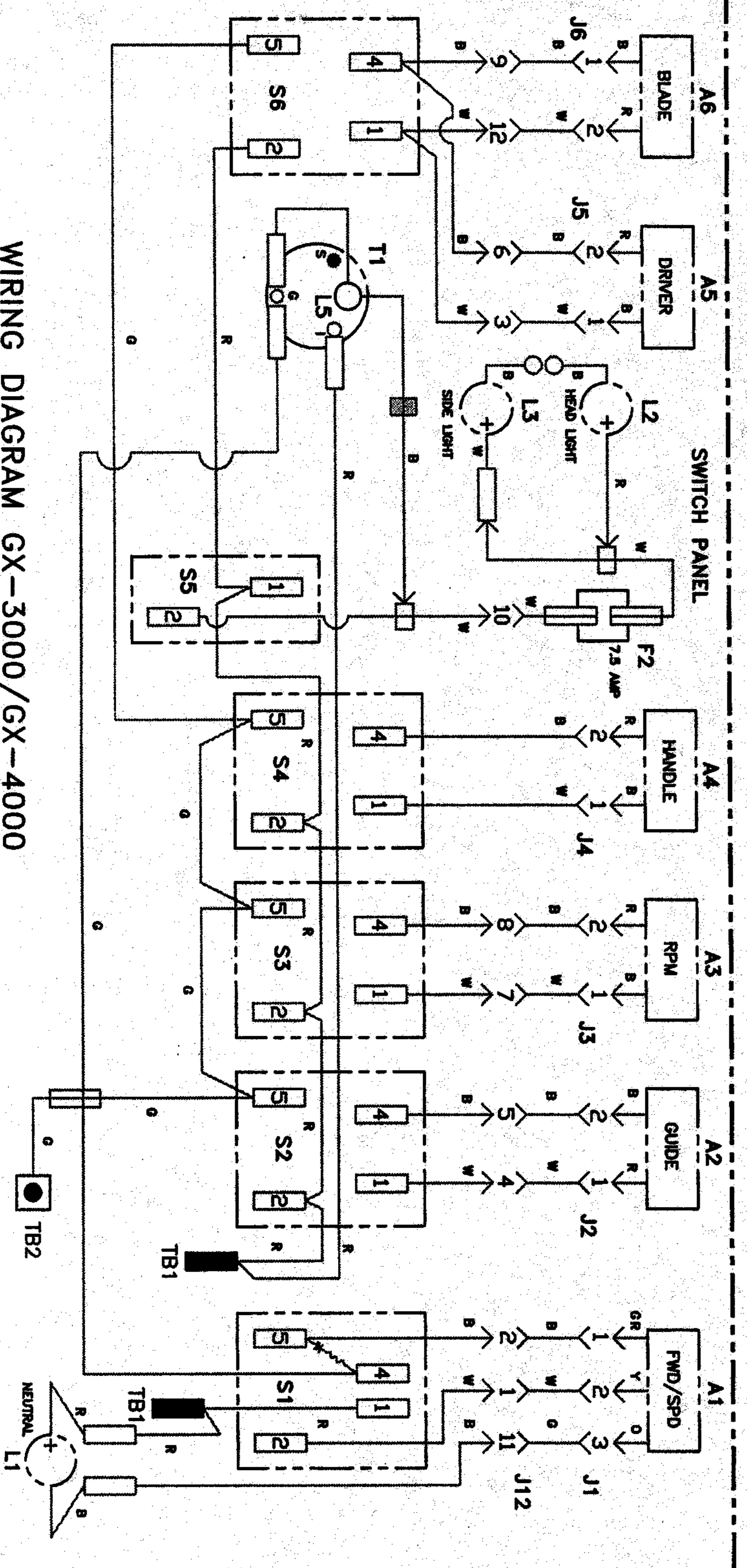
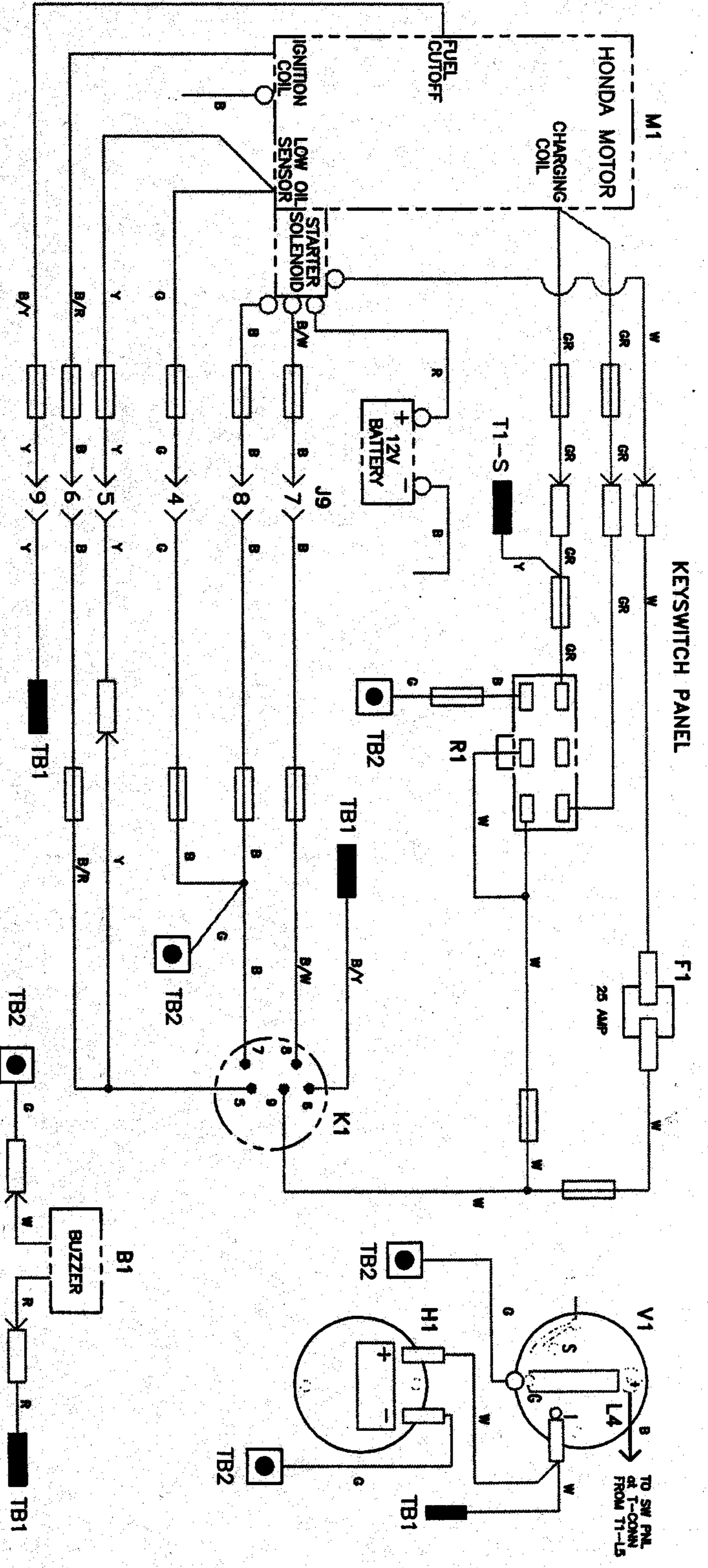
TB1 - POSITIVE TERMINAL BLOCK MOUNTED ON HANDLE CROSSBAR
 - FEMALE CONNECTOR TO POSITIVE TERMINAL BLOCK.

TB2 - NEGATIVE TERMINATION AT SCREW ON HANDLE CROSSBAR.

- 1 PIN CONNECTOR TO TB2 CONNECTOR

RING TONGUE TERMINAL

GROUND



WIRING DIAGRAM GX-3000/GX-4000