

SUPERIOR POWER TROWEL

Owners Manual & Parts Breakdown
DGH Series Machines



WWW.SUPERIORPOWERTROWEL.COM
800-327-9779

Introduction

The Superior DGH power trowel is possibly the finest power trowel in the world. The features found in the Superior DGH were designed into the machine at the request of the people who use it. The GH will give you years of trouble free, profitable use. Just follow the simple instructions and maintenance procedures outlines in this manual.

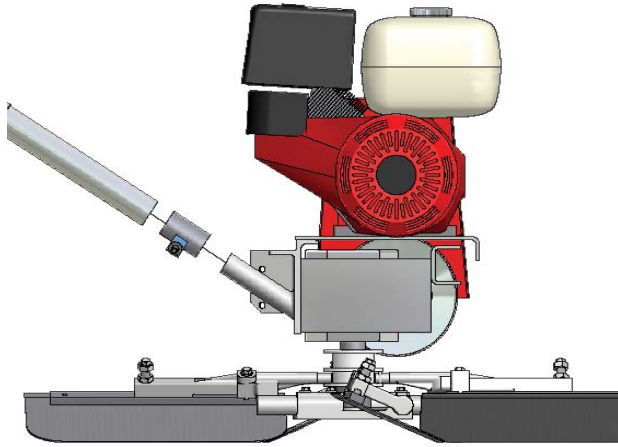
Index

Getting Started	Page 2
Assembly Instructions	Page 2
Periodic Maintenance	Page 3
Engine Operation	Page 4
Oil Alert System	Page 5
Warranty	Page 5
Parts Breakdown	
-Handle Tube	Page 6
-Plow	Page 7-8
-Bottom End	Page 9

Getting Started

After unpacking your Superior Power Trowel. In **Fig. 1a** note the placement of the handle tube, the handle tube clamp and the handle mount plate respectfully as (a), (b), and (c).

Install the handle by sliding (a) over (c) and clamping with (b).



At the bottom of the handle tube you should see throttle cable (d) and safety switch wire (e).

Place the throttle cable (d) into the hole shown in **Fig. 1b**. The cable is then attached by placing it under the clamp and tightening the screw.

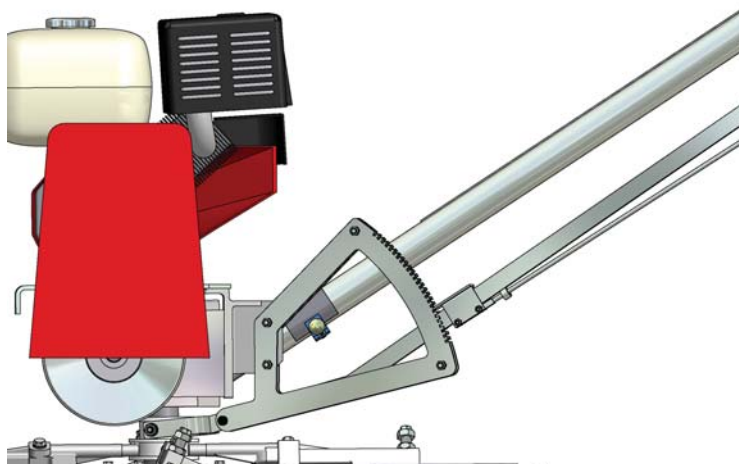
Attach safety switch wire (e) to black connector on front of engine.

Fig. 2 shows the installation of the pitch control handle. Guide (b) slips into the blade tilting collar. Install nuts and bolts in position (a) as shown.

(Note: Positioning of handle ratchet may require gentle movement of the handle assembly in an up and down direction for the bolt alignment.)

Place the lock in the third notch from the top noted by (x) in **Fig. 2**

After these two installations are made be sure nuts and bolts in the assembly have not worked loose during shipping.



Periodic Maintenance

Breaking In

After the first 20 hours of operating, check the engine owner's manual and change oil.

Every Day

Every 10 hours of operation or at the beginning of each day, make sure that the six grease fittings located on the bottom end are greased thoroughly with a heavy duty waterproof grease.

Every 25 Hours of Operation

Change the engine oil

Every 50 Hours of Operation

Clean the air cleaner element, wash parts with cleaning solvent as described in the engine operating manual.

Every 100 Hours of Operation

Clean the fuel strainer, replace spark plugs and gap according to engine operating manual.

Safety Switch

Very Important!

- Check operation of the Centrifugal On/Off Safety Switch daily before each use.
- Engine must stop when switch is engaged.

To Test Operation of Switch:

1. Select a wide open area with NO obstacles.
2. With the engine idling, turn switch be hand from the "On" to "Off" position. Engine should stop immediately.
3. With the engine at low rpm and blades slightly engaged, let loose of handle bars. Trowel should spin then engine should stop immediately.

It is important to use Low RPM for testing the Safety Switch so operator can regain control of trowel in the case that the safety switch fails.

**NEVER OPERATE POWER TROWEL WITH FAULTY OR
TAMPERED SAFETY SWITCH**

Call Superior Power Trowel immediately if you have any questions or concerns

Oil Alert

These Honda engines are equipped with the Honda mechanical Oil Alert system. It's a simple device that actually saves you a lot of work. It will shut off the engine when the oil falls below safe operating level, eliminating any possible engine damage.

Warranty

Superior Power Trowels are warranted to be free from manufacturing defects for a period of one year from the original date of purchase. During the warranty period **Superior Power Trowel, Inc.** will repair or replace defective parts at no charge to the original user. **Superior Power Trowel, Inc.** is not obligated to bear the cost of any labor charges in connection with repair or replacement of defective parts. To obtain the benefits of the warranty, proof of purchase and the defective parts must be delivered to

Superior Power Trowel, Inc.

120 Flocchini Cir.

Lincoln, CA 95648

The Above warranty does not apply to any components or equipment not manufactured by **Superior Power Trowel, Inc.** Such components are covered by the warranties of their respective manufacturers.